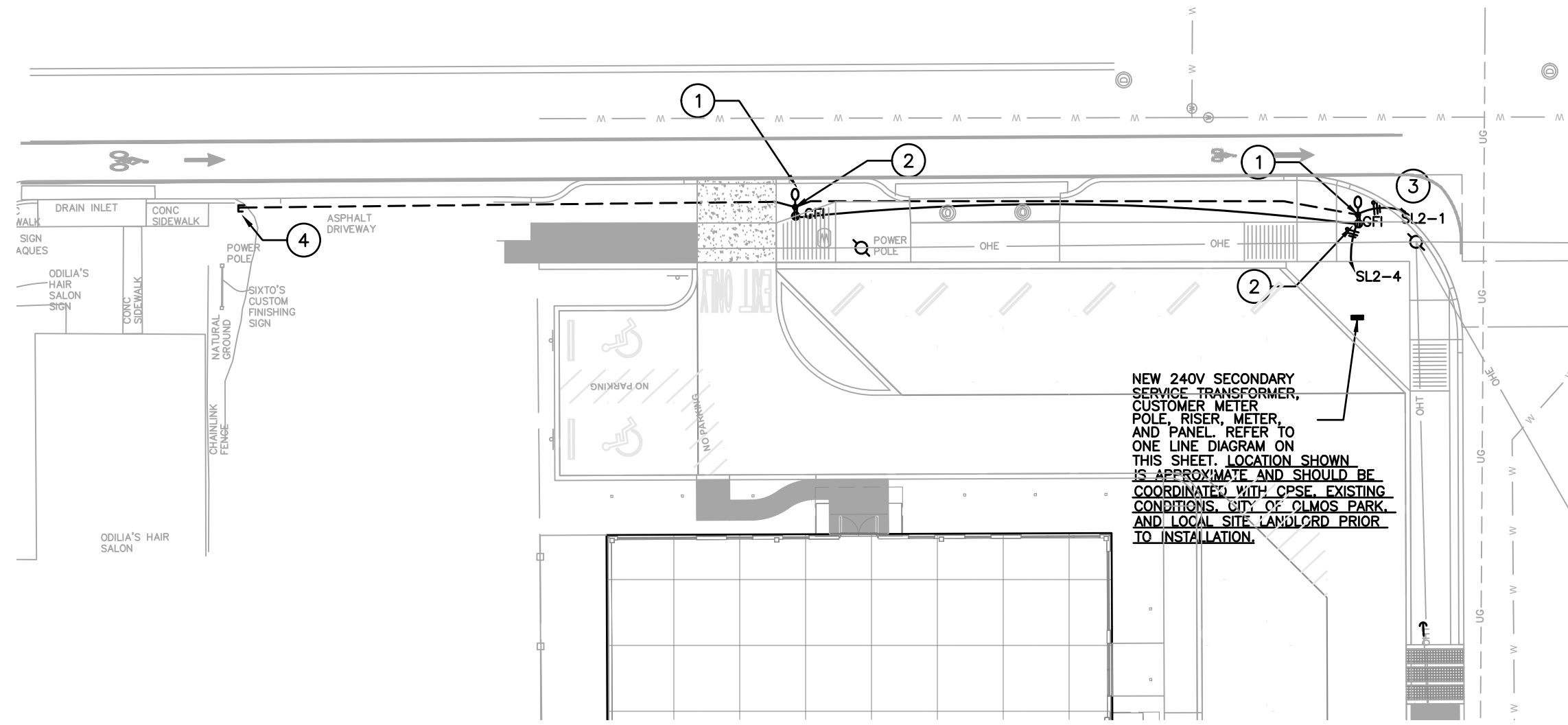


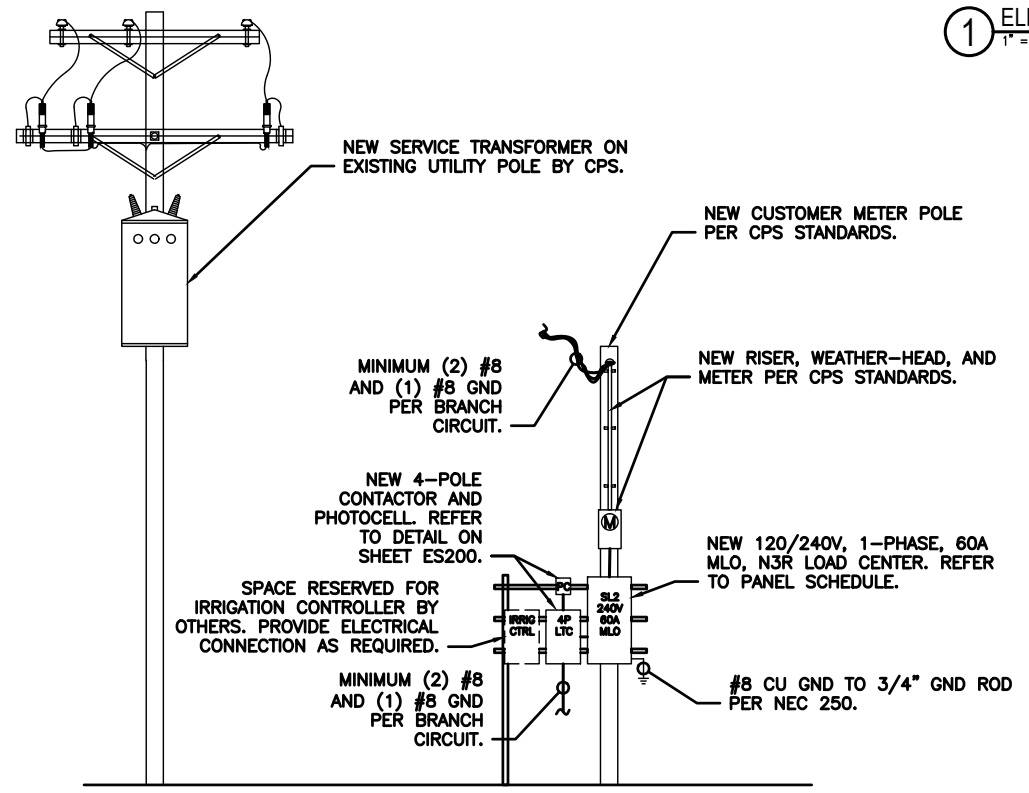


CITY OF OLMOS PARK
MCCULLOUGH PHASE 2
OLMOS PARK, TX 78212



NEW 240V SECONDARY SERVICE TRANSFORMER, CUSTOMER METER POLE, RISER, METER, AND PANEL. REFER TO ONE LINE DIAGRAM ON THIS SHEET. LOCATION SHOWN IS APPROXIMATE AND SHOULD BE COORDINATED WITH CPSE, EXISTING CONDITIONS, CITY OF OLMOS PARK, AND LOCAL SITE LANDLORD PRIOR TO INSTALLATION.

1 ELECTRICAL PLAN
1" = 20'-0"



2 ONE LINE DIAGRAM
NTS

GENERAL NOTES:

- ALL GROUNDING SHALL BE INSTALLED IN ACCORDANCE WITH ARTICLE 250 OF THE CURRENT NEC WITH ALL CITY AMENDMENTS.
- ALL OUTDOOR RECEPTACLES SHALL BE GFCI PROTECTED WITH AN IN-USE WEATHER-PROOF ENCLOSURE.
- CONTRACTOR SHALL BE RESPONSIBLE FOR COORDINATING LOCATION AND CLEARANCES OF ALL NEW POLES WITH EXISTING EASEMENT, UTILITIES, AND OVERHEAD ELECTRICAL/COMMUNICATION LINES.
- CONTRACTOR SHALL COORDINATE DELIVERY, LOCATION, EXTENSION, AND INSTALLATION REQUIREMENTS OF NEW ELECTRICAL SERVICE WITH CPS ENERGY.
- PROVIDE SLEEVES AT ALL ROADWAY/DRIVE CROSSINGS.
- ROUTE ALL NEW WIRE, CONDUIT, AND SLEEVES TIGHT TO EDGE OF SIDE-WALK.

ELECTRICAL KEYED NOTES:

- REFER TO POLE BASE DETAIL ON ES200.
- FACTORY MOUNTED GFCI/WP IN-USE/LOCKABLE/ RECEPTACLE. RECEPTACLE CIRCUIT SHALL BE ROUTED THROUGH LIGHTING CONTACTOR.
- ROUTE CIRCUIT THROUGH EXTERIOR PHOTOCELL/TIME CLOCK/ CONTACTOR. MINIMUM BRANCH CIRCUIT SIZE IS (2) #8 + (1) #8 GND USING ALL CU CONDUCTORS FOR LESS THAN 3% VOLTAGE DROP.
- PROVIDE AND INSTALL A 1" CONDUIT FROM LAST LIGHT POLE BASE TO ACCESSIBLE GRASSY AREA FOR FUTURE LIGHT. PROVIDE PULL STRING, CAP AND MARK CONDUIT. COORDINATE EXACT STUB UP LOCATION WITH LANDSCAPE ARCHITECT.

ISSUE DATE

12/19/22

PROJECT NUMBER

22080

REVISION

SHEET TITLE

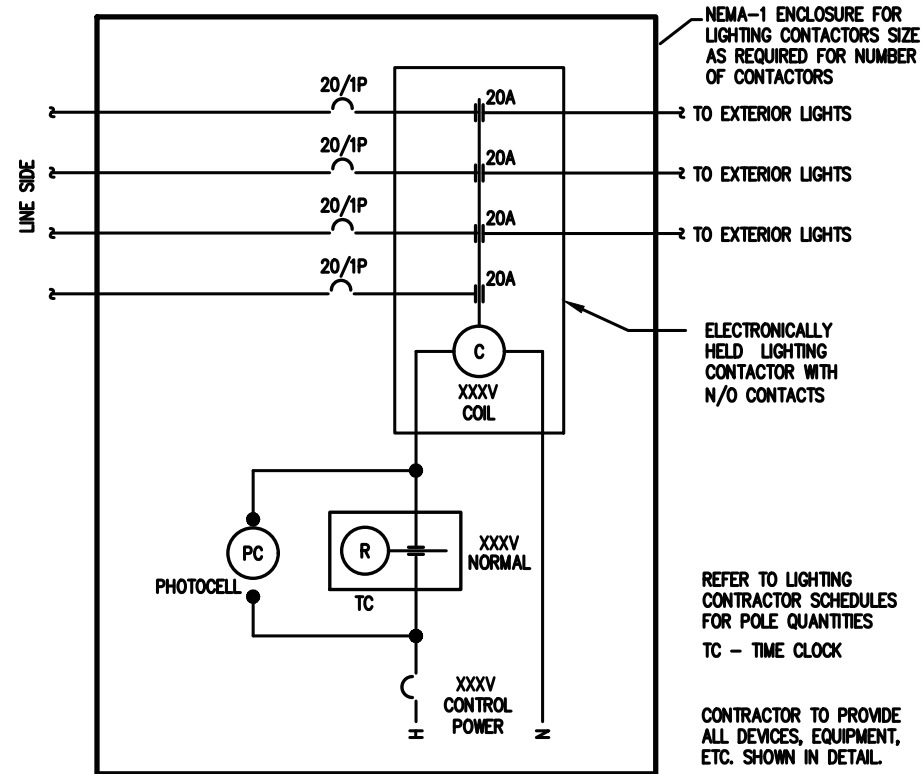
ELECTRICAL
PLAN

SHEET NUMBER

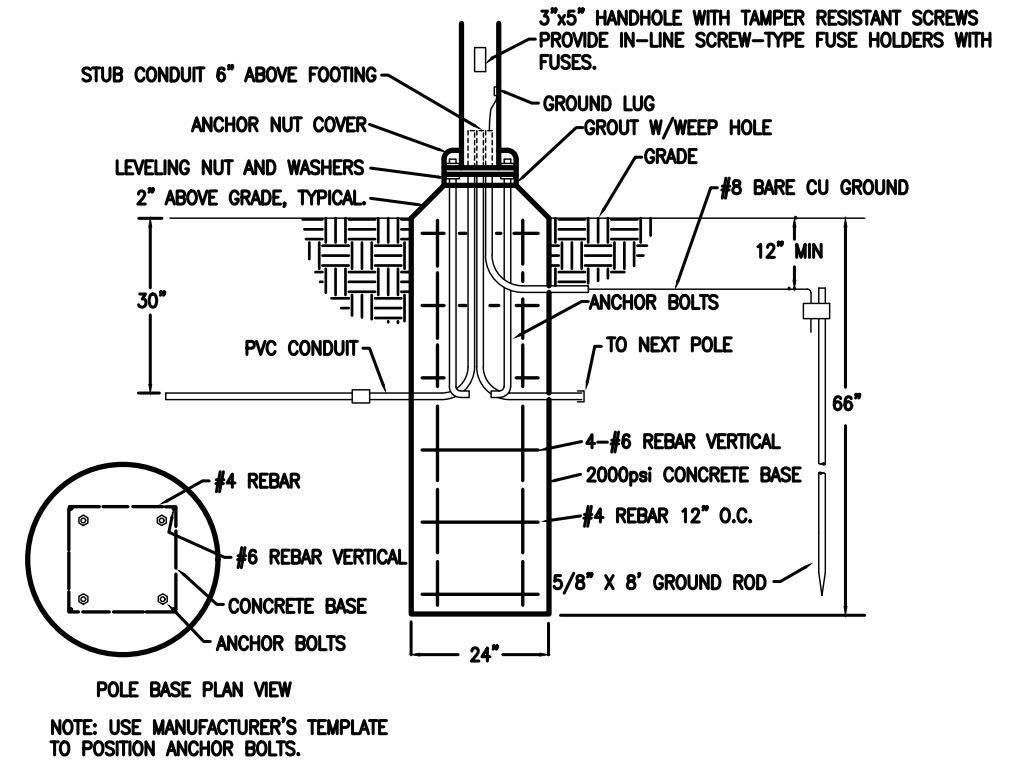
ES100

LIGHTING FIXTURE SCHEDULE

TYPE	MANUFACTURER	CATALOG #	MOUNTING	LAMPS	COLOR TEMPERATURE	LUMENS	VOLTAGE	INPUT WATTS	REMARKS
P1	SELUX	FIXTURE #: SACL-R1-1-5G450-30-16-XX-120 POLE #: A35-12-XX-REC2	12' POLE	LED	3000 K	4442 lm	120 V	39 W	COORDINATE FINISH WITH ARCHITECT. PROVIDE AND INSTALL ON 12' POLE



1 EXTERIOR LIGHTING CONTACTOR DETAIL
NTS



2 POLE BASE DETAIL - PEDESTRIAN
NTS SD265600-02



CITY OF OLMOS PARK
MCCULLOUGH PHASE 2
OLMOS PARK, TX 78212

ISSUE DATE 12/19/22
PROJECT NUMBER 22080
REVISION
SHEET TITLE FIXTURE SCHEDULE AND DETAILS
SHEET NUMBER ES200



CITY OF OLMOS PARK
MCCULLOUGH PHASE 2
OLMOS PARK, TX 78212

ISSUE DATE:

12/19/22

PROJECT NUMBER:

22080

REVISION:

SHEET TITLE:

ELECTRICAL
SCHEDULES

SHEET NUMBER:

ES201

PANEL		SL2							
VOLTAGE (L-N):	120	ENCLOSURE TYPE:	NEMA 3R						
VOLTAGE (L-L):	240	MOUNTING:	SURFACE						
PHASES, WIRES:	1 ϕ , 3 W	AIC RATING:	10000						
MINIMUM BUS CAPACITY (A):	60 A	NOTES:	MAIN LUG ONLY						
MAIN O.C. DEVICE (A):	60 A								
CKT NO	DESCRIPTION	TRIP AMPS	POLE	PHASE LOADS (VA)		POLE	TRIP AMPS	DESCRIPTION	CKT NO
				A	B				
1	LIGHTING	20	1	200	-	1	20	SPARE	2
3	SPARE	20	1		760	1	20	RECEPTACLES	4
				CONNECTED LOAD PHASE TOTALS (VA)					
				200	760				
				CONNECTED LOAD (KVA)	DEMAND FACTOR	DEMAND LOAD (KVA)			
Lighting				0.2	1.25	0.25	DEMAND LOAD 1.01 KVA		
Receptacles (0 - 10 KVA)				.76	1.00	.76	SPARE CAPACITY 13.4 KVA		
							SPARE CAPACITY 55.8 AMPS		
							SPARE CAPACITY 93%		
TOTAL:				.96		1.01			
LOAD (AMPS):				8.0		8.42			